



EVALUATION SYSTEM

MMWL-008

4:2:0 MPEG-2 / COFDM Modulator

MMWL-008 is a MPEG_2 encoder with embedded COFDM modulator evaluation system designed by M.B. International.

MMWL-008 is the low cost single board transmitter for a COFDM digital wireless video link.

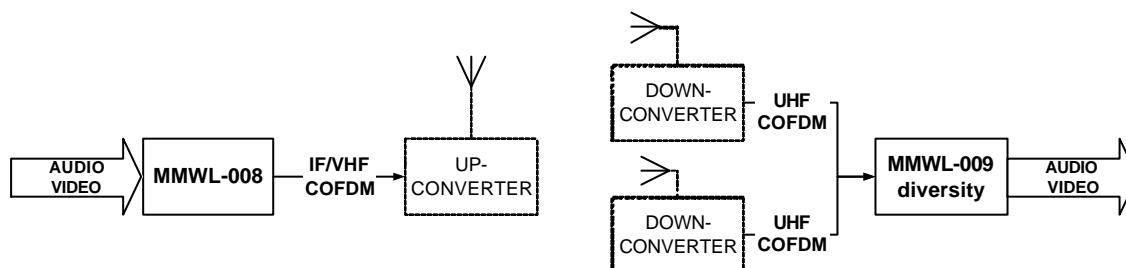
High quality is guaranteed by M.B. International proprietary design.

Ultra small size and very low power consumption make it the base for developing custom COFDM Wireless Video Links for broadcasting, security, military and police

MMWL-008 is provided to demonstrate the high quality available using M.B. International solutions.

Together with MMWL-009, you can build a complete diversity COFDM link suitable for very demanding applications.

Application example



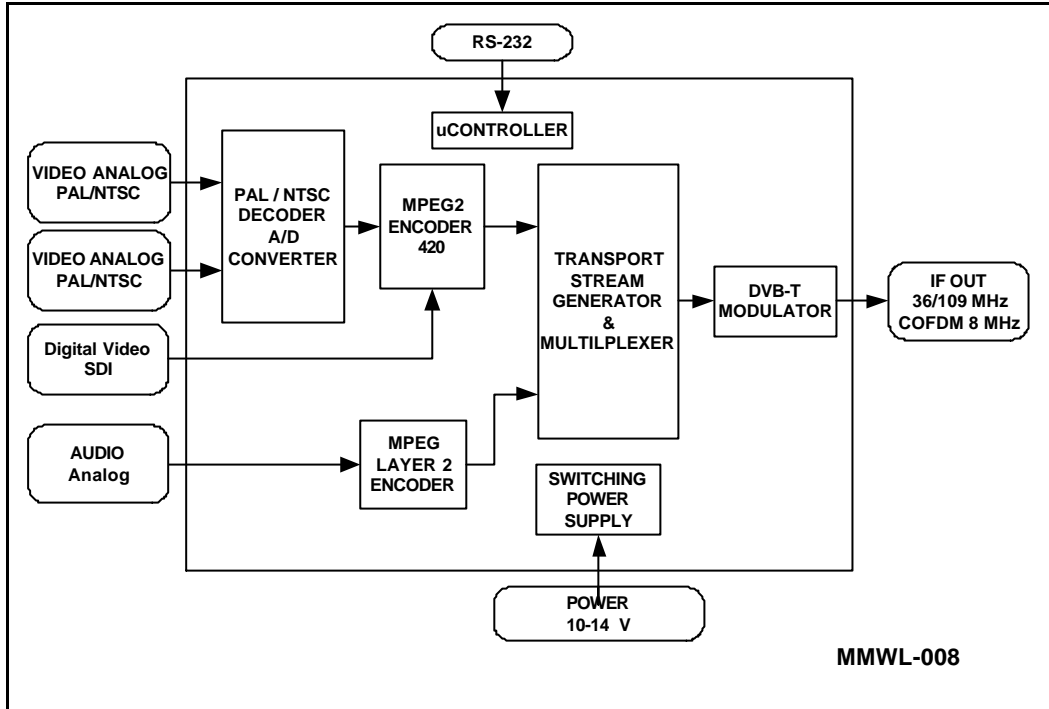
The evaluation system is composed of:

1. MMWL-008 board
 - a. MPEG-2 (4:2:0) Encoder
 - b. COFDM modulator
2. User manual

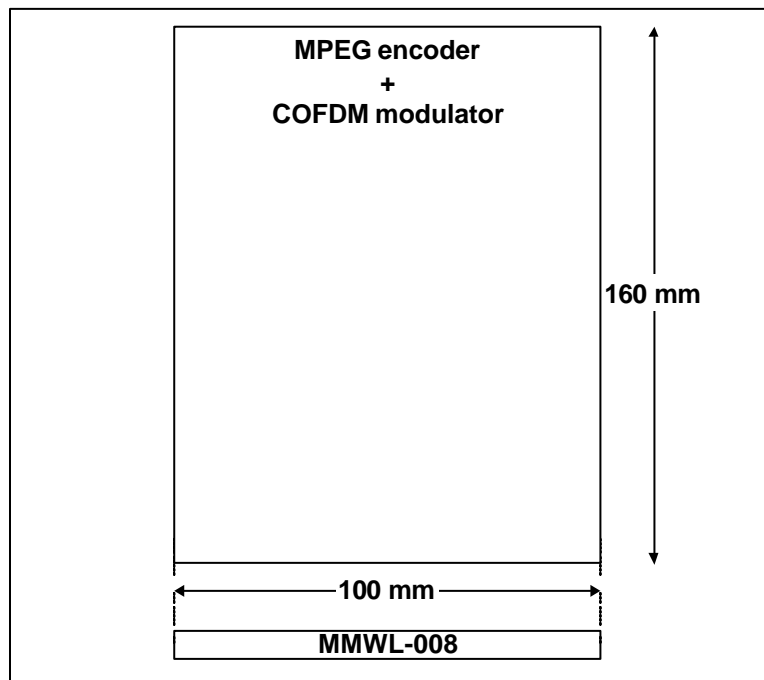


EVALUATION SYSTEM

MMWL-008 Block Diagram



MMWL-008 Dimensions





EVALUATION SYSTEM

MMWL-008 Features

Inputs:

1. Nr. 3 Analog Video (3 x Composite or YUV)
2. Nr. 1 Digital Video (SDI) - optional
3. Nr. 1 Analog Audio (L+R)

Outputs

1. Nr. 1, 2K COFDM, IF (36 MHz or 109 MHz), 8 MHz bandwidth

Interface

1. RS-232

OFDM Performances

1. Output Level = -16 dBm
2. Channel filter = -60 dBc @ ± 5.5 MHz
3. Spurious < -70 dBc @ ± 10 MHz from center freq.
4. Spurious < -85 dBc from ± 10 to ± 50 MHz from center freq.
5. Aliases higher than 100 MHz (if 36 MHz out):
6. MER : > 41 dB, typical 44 dB
7. COFDM settings: all non hierarchical modes of ETS 300 744 and ETS EN 301 701
8. ETS 300 744 Simplified channel filter for microwave links

Other Performances:

1. MPEG 2 modes: ML@MP 4:2:0
2. Single 10-14 V power supply
3. Total power consumption: less than 6 W
4. Custom Scrambling (option)