



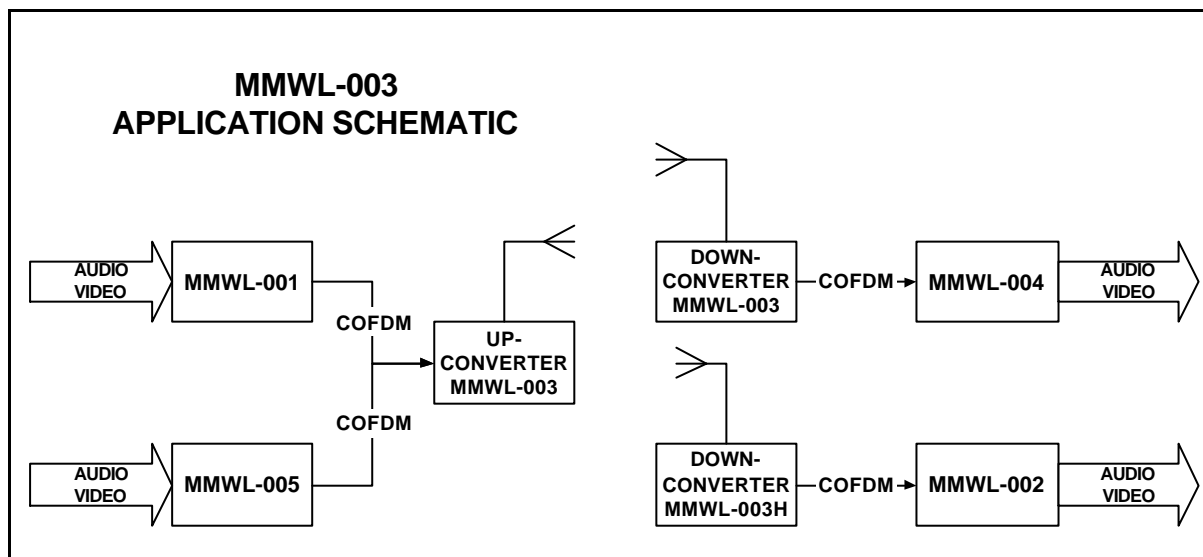
**MMWL-003 / 003H**

**2.5 GHz RF Link for COFDM**

MMWL-003 is a low cost 2.5 GHz link evaluation system supplied by M.B. International. Low cost, reduced size and low power consumption make it useful for testing mobile applications of COFDM Wireless Camera Links in the 2.5 GHz band.

MMWL-003 is provided to demonstrate the high quality available using COFDM M.B. International solutions.

MMWL-003 is the test companion up/down converter to 2.5 GHz band for the MMWL-series of COFDM evaluation systems.



MMWL-003 can be used to test MMWL-001 or MMWL-005 modulation systems with MMWL-004 demodulation system.

MMWL-003H can be used to test MMWL-001 or MMWL-005 modulation systems with MMWL-002 demodulation system.

MMWL-003 RF evaluation system is composed of:

- 1. IF to 2.5 GHz up-conversion
- 2. 2.5 GHz to IF down conversion



**Inputs / Outputs**

Up conversion:

1. IF Input: 36 MHz
2. RF Output: 2.5 GHz

Down Conversion

1. 2.5 GHz input
2. IF output
  - a. MMWL-003 IF Output = 36 MHz
  - b. MMWL-003H: High IF Output 700 MHz for MMWL-002 demodulator

**Specs:**

1. Single conversion system 2.5 GHz (optional 2.7 GHz)
2. QPSK mode output power: 100 mW
3. Channel filter = 30 MHz wide
4. Output Channels: Nr. 2 channels internally selectable

**Other Performances:**

1. Single 12 V unregulated power supply