



EVALUATION SYSTEM

G_1 4:2:0 MPEG-2 / COFDM I&Q Modulator

G_1 (Garage_1) is a complete encoder & transmitter with I&Q outputs suitable for a:

- Wireless camera link
- Low cost DVB-T transmitter station

G_1 is composed of:

- Digital and analog audio-video input front end
- MPEG_2 audio/video encoder
- DVB SI tables inserter
- DVB-T (COFDM) modulator with I&Q outputs

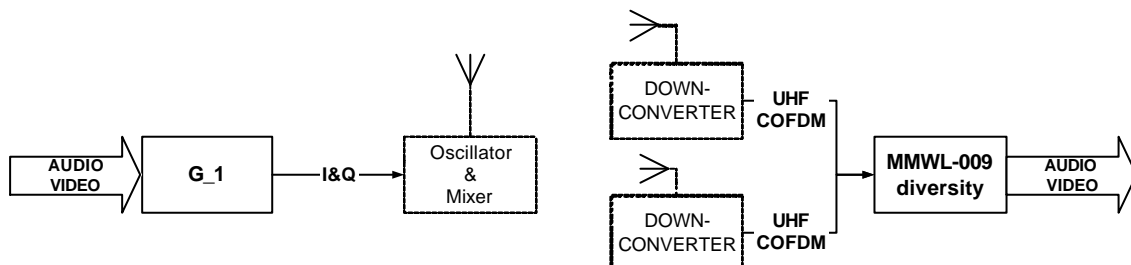
High quality is guaranteed by M.B. International design.

Very small size and very low power consumption make it the base for developing custom COFDM Wireless Video Links for broadcasting, security, military and police applications. Thanks to a complete DVB tables insertion and management, it is also suitable for DVB-T test and small areas transmission.

G_1 is the last development of MMWL high quality M.B. International solutions for MPEG based COFDM transmission solutions.

Together with MMWL-009, the new portable diversity DVB-T receiver, you can build a complete diversity COFDM link suitable for very demanding applications.

Application example



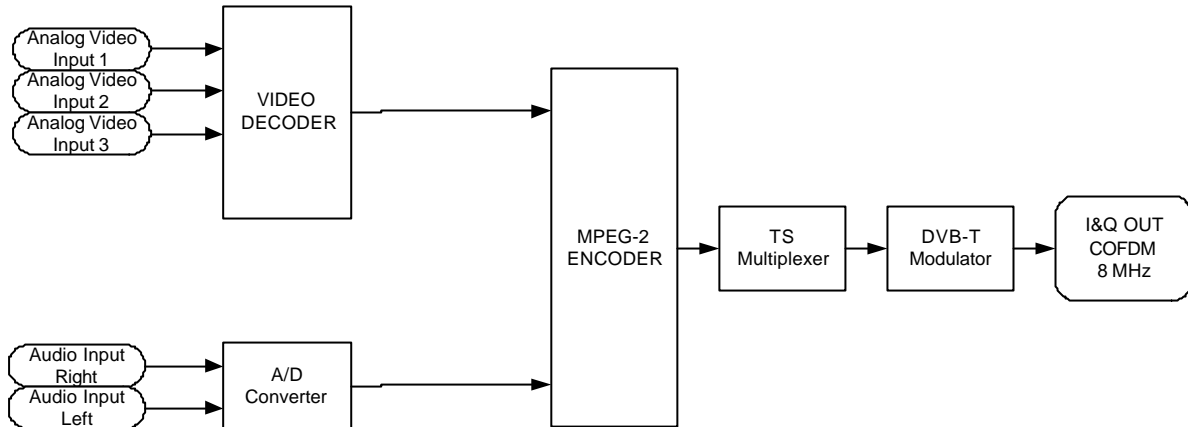
G_1 evaluation system is composed of:

1. G_1 board
2. User manual

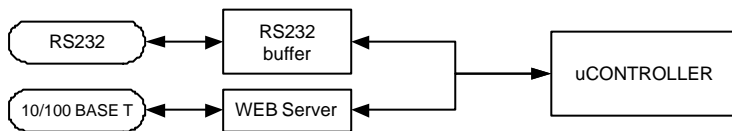


EVALUATION SYSTEM

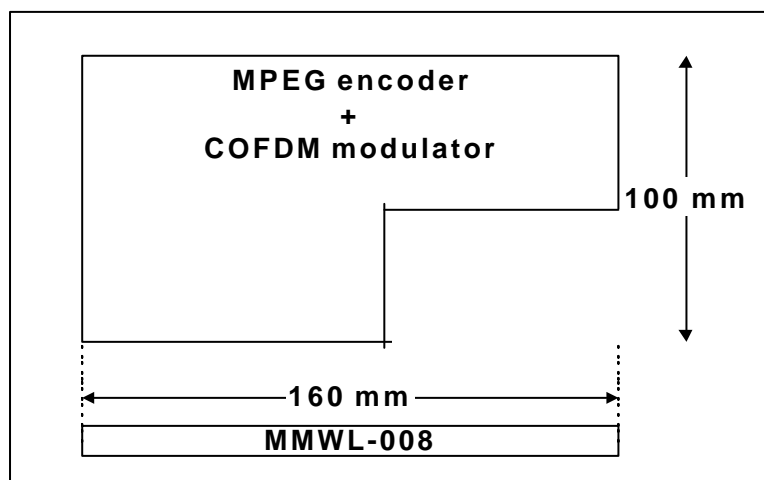
G_1 Block Diagram



G_1



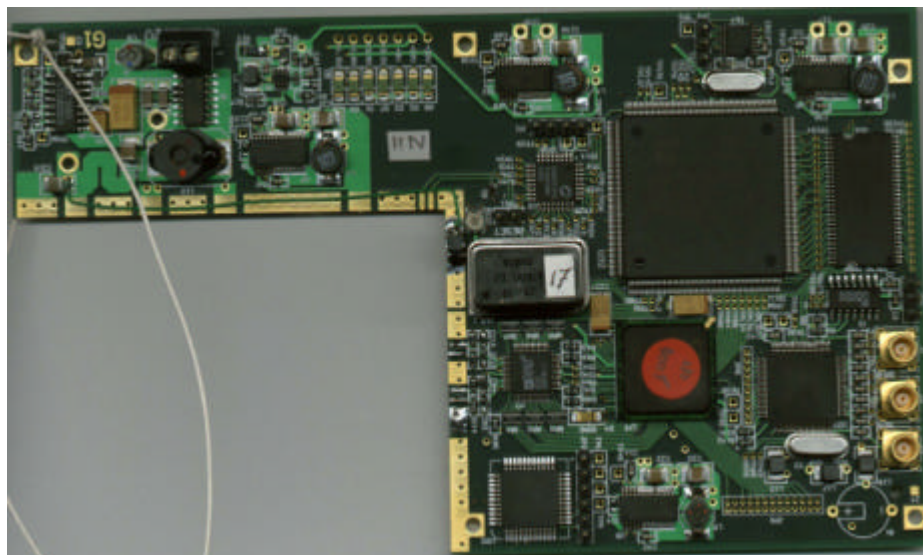
G_1 Dimensions





EVALUATION SYSTEM

G_1 Evaluation board



G_1 Features

Inputs:

1. Nr. 3 Analog Video user configurable in the following modes:
 - a. 3 x CVBS
 - b. YUV
 - c. RGB
 - d. Y/C
2. Nr. 1 Analog Stereo Audio (L+R)

Outputs

1. Nr. 1 DVB-T output
 - 2K carriers
 - I&Q outputs
 - 8 MHz bandwidth

User Interface

1. RS-232

COFDM Performances

1. DVB-T settings: all non hierarchical modes of ETS 300 744 and ETS EN 301 701
2. ETS 300 744 Simplified channel filter for microwave links

Other Performances:

1. SI tables insertion and management
2. MPEG 2 modes: ML@MP 4:2:0
3. Single 10-14 V power supply
4. Total power consumption: less than 4 W
5. Custom Scrambling (option)